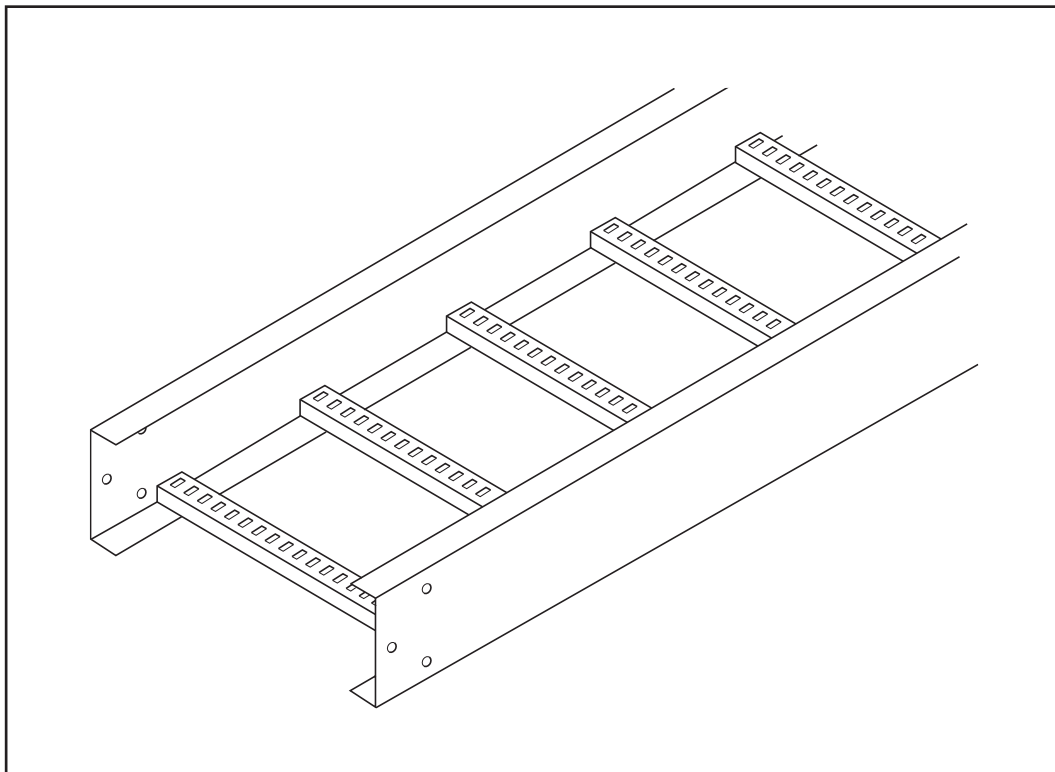

CHANNEL-TRACK & TUBE-WAY INDUSTRIES, INC.



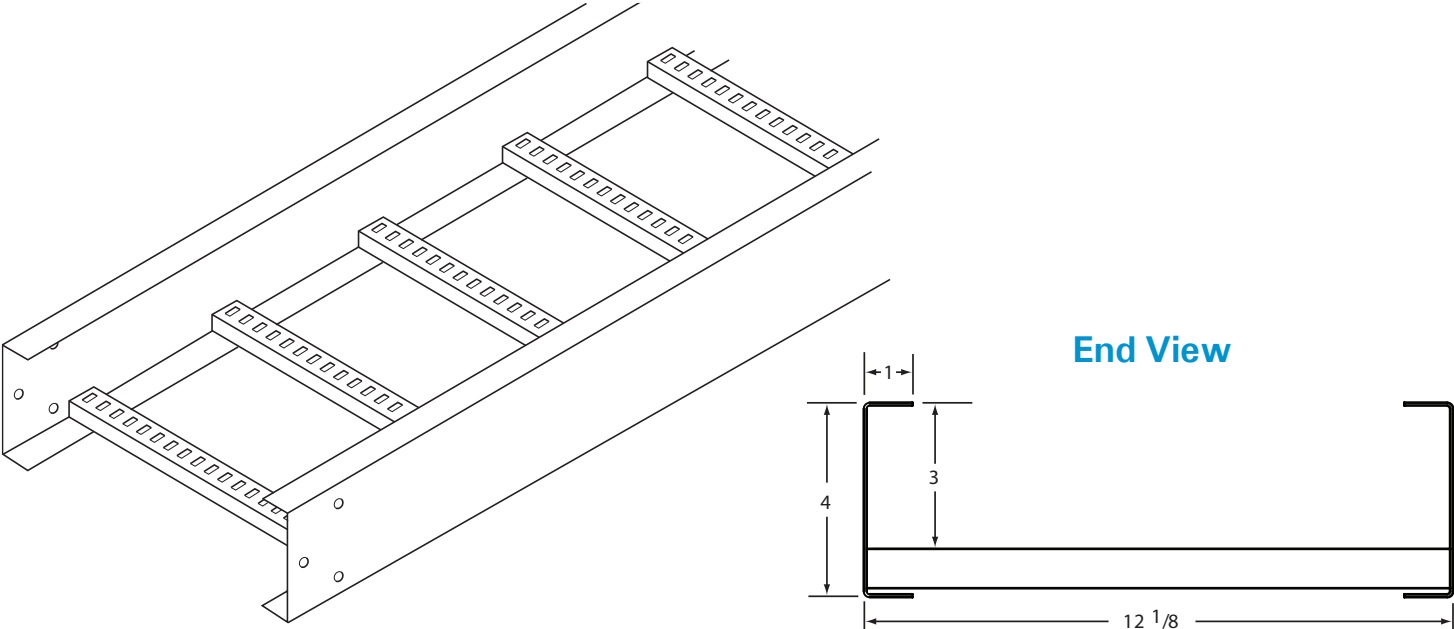
C-RAIL LADDER TRAY SYSTEMS

1209 W. 17th Street Houston, TX 77008 • Office: 713.864.2551 • Fax: 713.868.4550

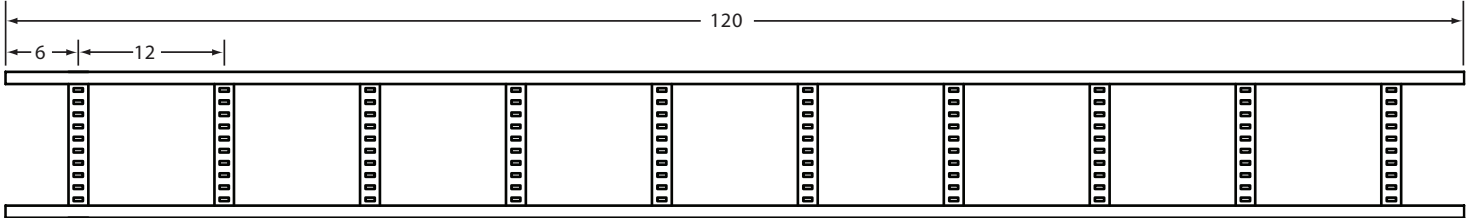
sales@channel-track.com

www.channel-track.com

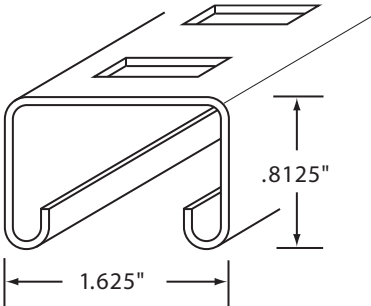
C-Rail Leg-In Ladder Cable Tray



Top View



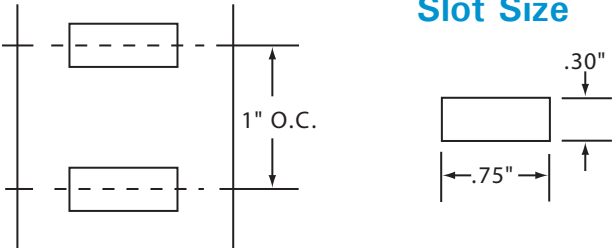
Rung Detail



Features:

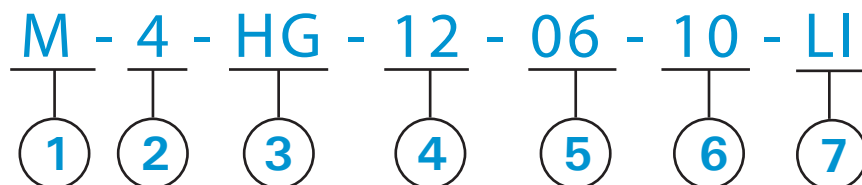
- 1. Perforations in rungs accept 5/8" coated banding for securing cables.
- 2. Full Strut Rung.
- 3. Straight Sections supplied in 10' lengths.

Slot Size



Cable Tray Part Numbering System

Example Part No.: M-4-HG-12-06-10-LI



1 Product Code

M Marine

5 Rung Spacing Type

06 = 6", 09 = 9", 12 = 12"(Std.), 15 = 15"

Ventilated

Solid

2 Side Rail Height

2 = 2"

3 = 3"

4 = 4"

5 = 5"

6 = 6"

7 = 7"

6 Length

10 = 10'

3 Material/Finish

PG Pre-Galvanized

HG Hot Dipped Galvanized

S4 304 Stainless Steel

S6 316 Stainless Steel

7 Side Rail Type

LI Leg In C-Rail

LO Leg Out C-Rail

4 Width

06 = 6"

09 = 9"

12 = 12"

18 = 18"

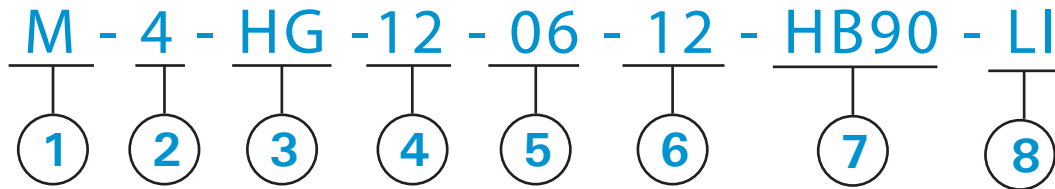
24 = 24"

30 = 30"

36 = 36"

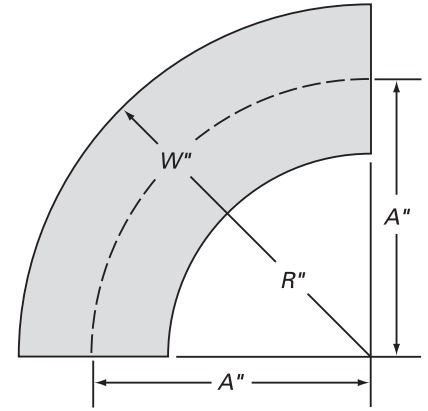
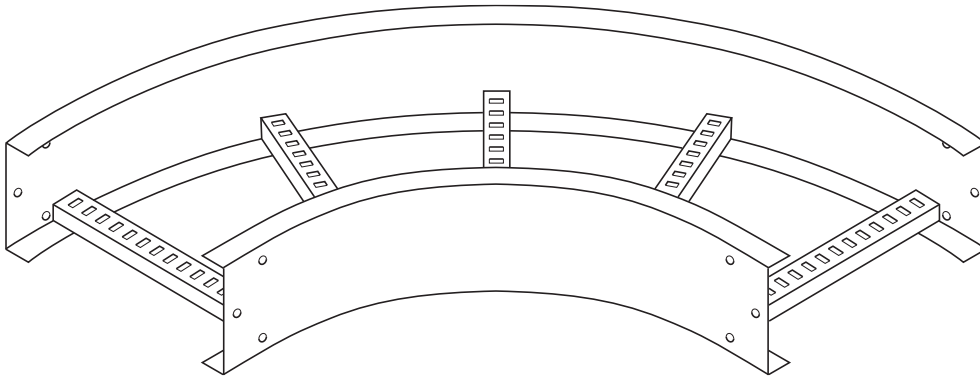
Cable Tray Fitting Part Numbering System

Example Part No.: M-4-HG-12-06-12-HB90-LI



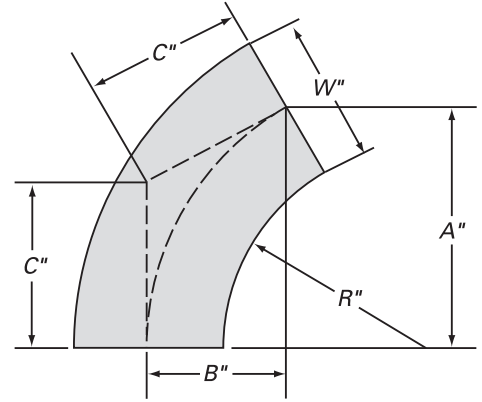
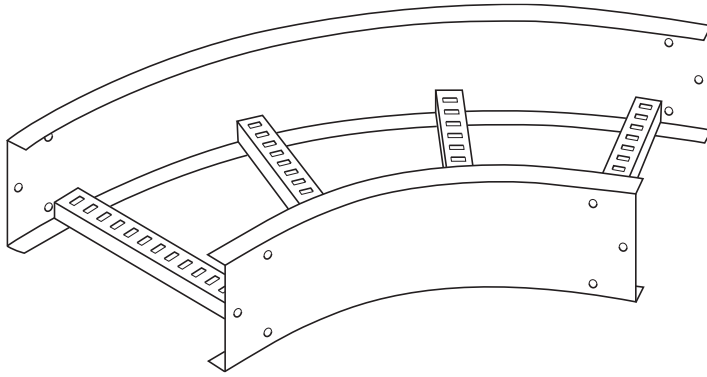
- | | |
|---|---|
| <p>1 Product Code
M Marine</p> | <p>5 Rung Spacing Type
<u>06</u> = 6", 09 = 9", 12 = 12"(Std.), 15 = 15"
<u>V</u>entilated
<u>S</u>olid</p> |
| <p>2 Side Rail Height
2 = 2"
3 = 3"
4 = 4"
5 = 5"
6 = 6"
7 = 7"</p> | <p>6 Radius
12 = 12"
24 = 24"</p> |
| <p>3 Material/Finish
PG Pre-Galvanized
HG Hot Dipped Galvanized
S4 304 Stainless Steel
S6 316 Stainless Steel</p> | <p>7 Fitting type
HB Horizontal Bend - 30° 45° 60° 90°
VO Vertical Outside - 30° 45° 60° 90°
VI Vertical Inside - 30° 45° 60° 90°
HT Horizontal Tee
HC Horizontal Cross
SR Straight Reducers
RR Right Hand Reducers
LR Left Hand Reducers</p> |
| <p>4 Width
06 = 6"
09 = 9"
12 = 12"
18 = 18"
24 = 24"
30 = 30"
36 = 36"</p> | <p>8 Side Rail Type
LI Leg In C-Rail
LO Leg Out C-Rail</p> |

90 Degree Horizontal Bend
Example Part No.: M-4-HG-12-06-12-HB90-LI



Catalog Number					
Series*	Width (in.)	Bottom Style	Radius (in.)	Fitting Type	Dimensions A (in.)
(Series)*	6	(#)	12	H90	15.0
			24	H90	27.0
(Series)*	9	(#)	12	H90	16.5
			24	H90	28.5
(Series)*	12	(#)	12	H90	18.0
			24	H90	30.0
(Series)*	18	(#)	12	H90	21.0
			24	H90	33.0
(Series)*	24	(#)	12	H90	24.0
			24	H90	36.0
(Series)*	30	(#)	12	H90	27.0
			24	H90	39.0
(Series)*	36	(#)	12	H90	30.0
			24	H90	42.0

60 Degree Horizontal Bend
Example Part No.: M-4-HG-12-06-12-HB60-LI

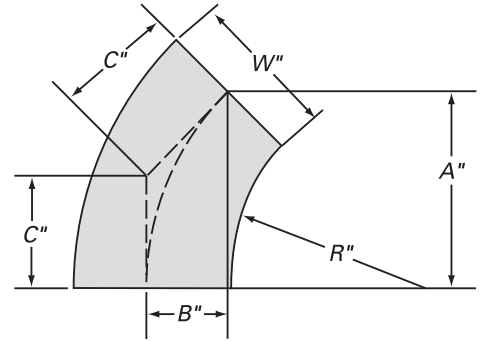
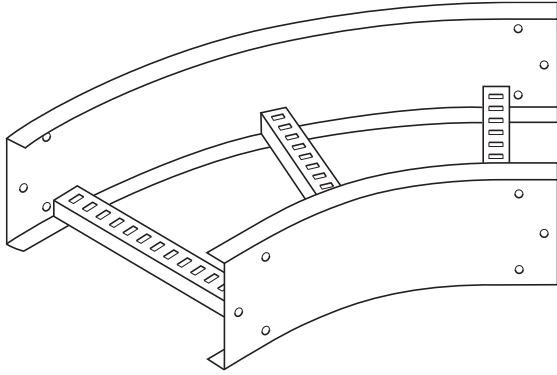


Catalog Number

Series*	Width (inches)	Bottom Style	Radius (inches)	Fitting Type	Dimensions (inches)		
					A	B	C
(Series)*	6	(±)	12	H60	13.0	7.5	8.7
				H60	23.4	13.5	15.6
(Series)*	9	(±)	12	H60	14.3	8.3	9.5
				H60	24.7	14.3	16.5
(Series)*	12	(±)	12	H60	15.6	9.0	10.4
				H60	26.0	15.0	17.3
(Series)*	18	(±)	12	H60	18.2	10.5	12.1
				H60	28.6	16.5	19.1
(Series)*	24	(±)	12	H60	20.8	12.0	13.9
				H60	31.2	18.0	20.8
(Series)*	30	(±)	12	H60	23.4	13.5	15.6
				H60	33.8	19.5	22.5
(Series)*	36	(±)	12	H60	26.0	15.0	17.3
				H60	36.4	21.0	24.2

45 Degree Horizontal Bend

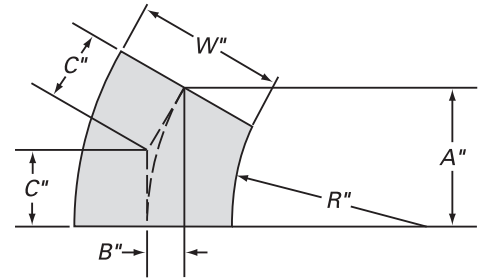
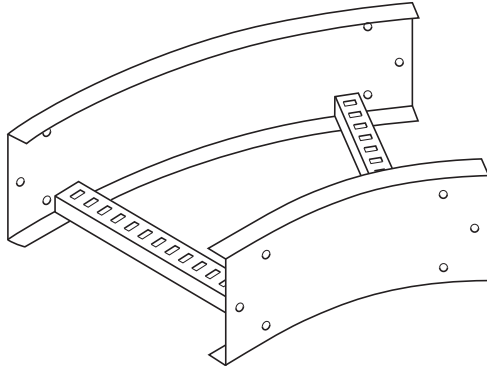
Example Part No.: M-4-HG-12-06-12-HB45-LI



Catalog Number

Series*	Width (inches)	Bottom Style	Radius (inches)	Fitting Type	Dimensions (inches)		
					A	B	C
(Series)*	6	(±)	12	H45	10.6	4.4	6.2
				H45	19.1	7.9	11.2
(Series)*	9	(±)	12	H45	11.7	4.8	6.8
				H45	20.2	8.3	11.8
(Series)*	12	(±)	12	H45	12.7	5.3	7.5
				H45	21.2	8.8	12.4
(Series)*	18	(±)	12	H45	14.8	6.2	8.7
				H45	23.3	9.7	13.7
(Series)*	24	(±)	12	H45	17.0	7.0	9.9
				H45	25.5	10.5	14.9
(Series)*	30	(±)	12	H45	19.1	7.9	11.2
				H45	27.6	11.4	16.2
(Series)*	36	(±)	12	H45	21.2	8.8	12.4
				H45	29.7	12.3	17.4

30 Degree Horizontal Bend
Example Part No.: M-4-HG-12-06-12-HB30-LI

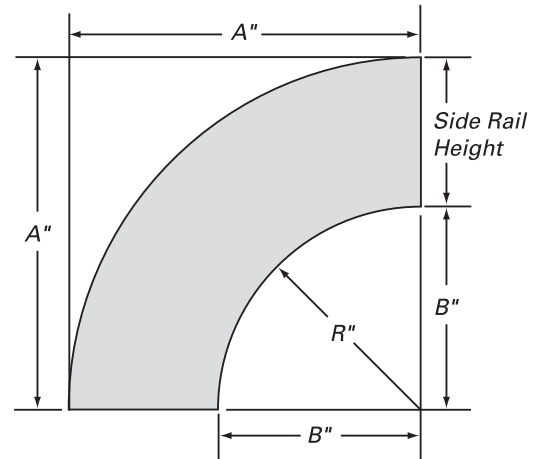
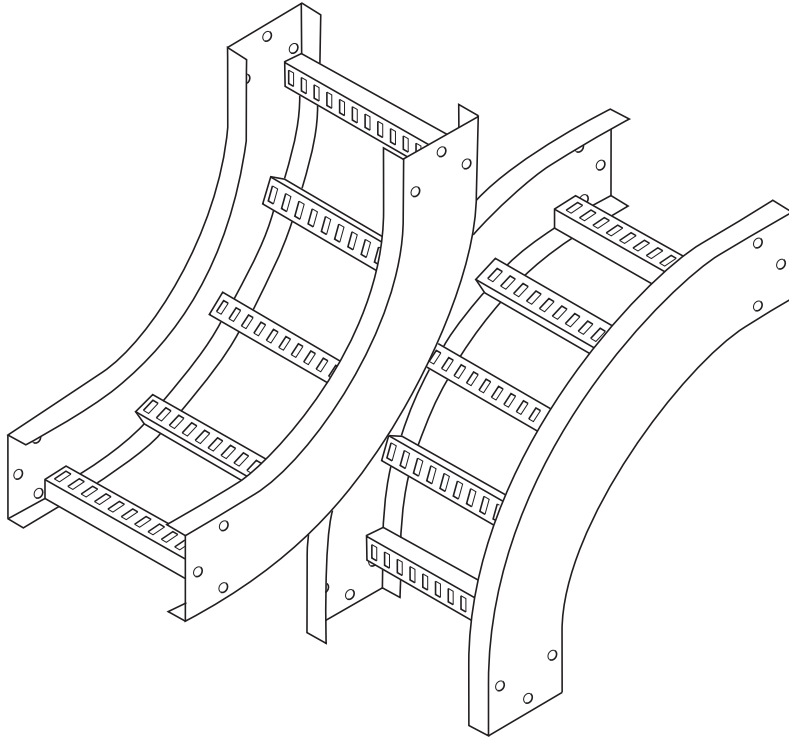


Catalog Number

Series*	Width (inches)	Bottom Style	Radius (inches)	Fitting Type	Dimensions (inches)		
					A	B	C
(Series)*	6	(‡)	12	H30	7.5	2.0	4.0
				H30	13.5	3.6	7.2
(Series)*	9	(‡)	12	H30	8.3	2.2	4.4
				H30	14.3	3.8	7.6
(Series)*	12	(‡)	12	H30	9.0	2.4	4.8
				H30	15.0	4.0	8.0
(Series)*	18	(‡)	12	H30	10.5	2.8	5.6
				H30	16.5	4.4	8.8
(Series)*	24	(‡)	12	H30	12.0	3.2	6.4
				H30	18.0	4.8	9.6
(Series)*	30	(‡)	12	H30	13.5	3.6	7.2
				H30	19.5	5.2	10.5
(Series)*	36	(‡)	12	H30	15.0	4.0	8.0
				H30	21.0	5.6	11.3

90 Degree Vertical Inside & Outside

Example Part No.: M-4-HG-24-06-12-VI90-LI
M-4HG-24-06-12-VO90-LI

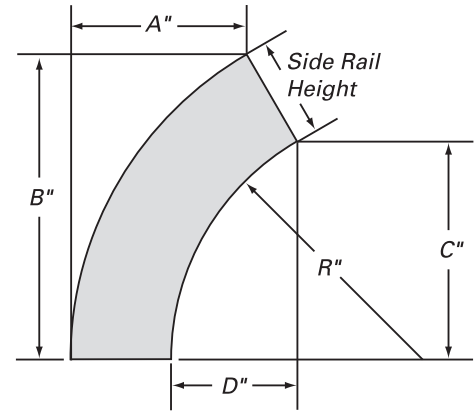
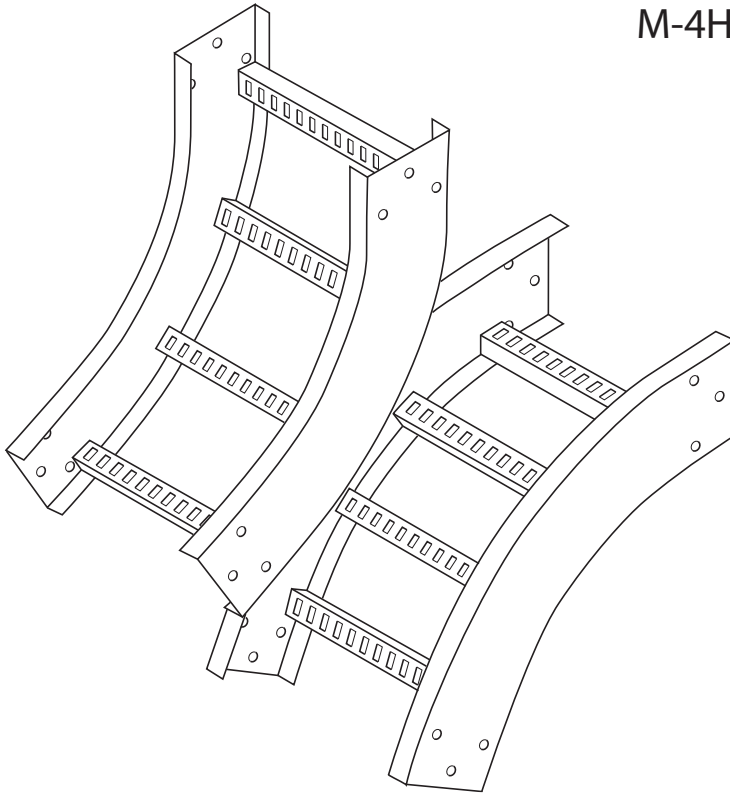


Catalog Number

Series*	Width (inches)	Bottom Style	Radius (inches)	Fitting Type	Siderail Height (inches)							
					4"-A	-B	5"-A	-B	6"-A	-B	7"-A	-B
(Series)*	6	(±)	12	(Δ)90	16.3	12.0	17.3	12.0	18.3	12.0	19.3	12.0
				(Δ)90	28.3	24.0	29.3	24.0	30.3	24.0	31.3	24.0
(Series)*	9	(±)	12	(Δ)90	16.3	12.0	17.3	12.0	18.3	12.0	19.3	12.0
				(Δ)90	28.3	24.0	29.3	24.0	30.3	24.0	31.3	24.0
(Series)*	12	(±)	12	(Δ)90	16.3	12.0	17.3	12.0	18.3	12.0	19.3	12.0
				(Δ)90	28.3	24.0	29.3	24.0	30.3	24.0	31.3	24.0
(Series)*	18	(±)	12	(Δ)90	16.3	12.0	17.3	12.0	18.3	12.0	19.3	12.0
				(Δ)90	28.3	24.0	29.3	24.0	30.3	24.0	31.3	24.0
(Series)*	24	(±)	12	(Δ)90	16.3	12.0	17.3	12.0	18.3	12.0	19.3	12.0
				(Δ)90	28.3	24.0	29.3	24.0	30.3	24.0	31.3	24.0
(Series)*	30	(±)	12	(Δ)90	16.3	12.0	17.3	12.0	18.3	12.0	19.3	12.0
				(Δ)90	28.3	24.0	29.3	24.0	30.3	24.0	31.3	24.0
(Series)*	36	(±)	12	(Δ)90	16.3	12.0	17.3	12.0	18.3	12.0	19.3	12.0
				(Δ)90	28.3	24.0	29.3	24.0	30.3	24.0	31.3	24.0

60 Degree Vertical Inside & Outside

Example Part No.: M-4-HG-24-06-12-VI60-LI
M-4HG-24-06-12-VO60-LI

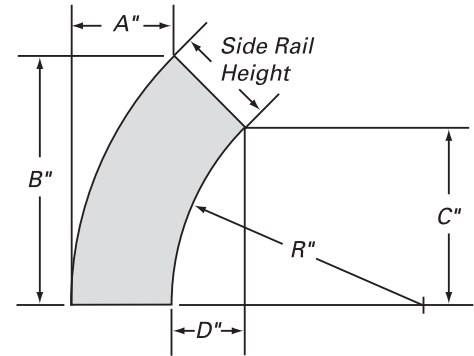
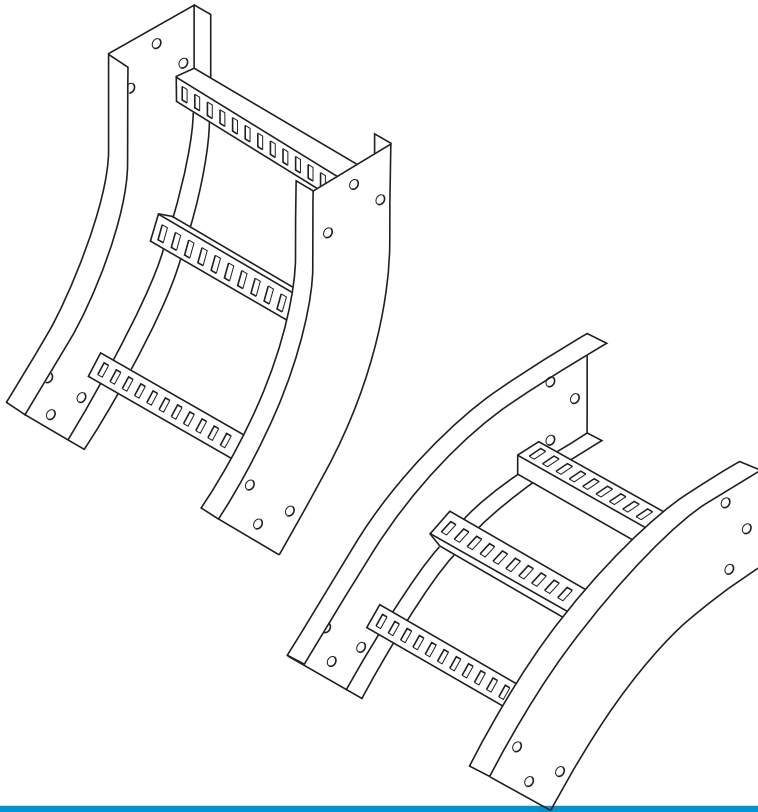


Catalog Number

Series*	Width (inches)	Bottom Style	Radius (inches)	Fitting Type	Siderail Height (inches)															
					4"-A	-B	-C	-D	5"-A	-B	-C	-D	6"-A	-B	-C	-D	7"-A	-B	-C	-D
(Series)* 6	6	(±)	12	(Δ)90	8.1	14.1	10.4	6.0	8.6	14.9	10.4	6.0	9.1	15.8	10.4	6.0	9.6	16.7	10.4	6.0
			24	(Δ)90	14.1	24.5	20.8	12.0	14.6	25.3	20.8	12.0	15.1	26.2	20.8	12.0	15.6	27.1	20.8	12.0
(Series)* 9	9	(±)	12	(Δ)90	8.1	14.1	10.4	6.0	8.6	14.9	10.4	6.0	9.1	15.8	10.4	6.0	9.6	16.7	10.4	6.0
			24	(Δ)90	14.1	24.5	20.8	12.0	14.6	25.3	20.8	12.0	15.1	26.2	20.8	12.0	15.6	27.1	20.8	12.0
(Series)* 12	12	(±)	12	(Δ)90	8.1	14.1	10.4	6.0	8.6	14.9	10.4	6.0	9.1	15.8	10.4	6.0	9.6	16.7	10.4	6.0
			24	(Δ)90	14.1	24.5	20.8	12.0	14.6	25.3	20.8	12.0	15.1	26.2	20.8	12.0	15.6	27.1	20.8	12.0
(Series)* 18	18	(±)	12	(Δ)90	8.1	14.1	10.4	6.0	8.6	14.9	10.4	6.0	9.1	15.8	10.4	6.0	9.6	16.7	10.4	6.0
			24	(Δ)90	14.1	24.5	20.8	12.0	14.6	25.3	20.8	12.0	15.1	26.2	20.8	12.0	15.6	27.1	20.8	12.0
(Series)* 24	24	(±)	12	(Δ)90	8.1	14.1	10.4	6.0	8.6	14.9	10.4	6.0	9.1	15.8	10.4	6.0	9.6	16.7	10.4	6.0
			24	(Δ)90	14.1	24.5	20.8	12.0	14.6	25.3	20.8	12.0	15.1	26.2	20.8	12.0	15.6	27.1	20.8	12.0
(Series)* 30	30	(±)	12	(Δ)90	8.1	14.1	10.4	6.0	8.6	14.9	10.4	6.0	9.1	15.8	10.4	6.0	9.6	16.7	10.4	6.0
			24	(Δ)90	14.1	24.5	20.8	12.0	14.6	25.3	20.8	12.0	15.1	26.2	20.8	12.0	15.6	27.1	20.8	12.0
(Series)* 36	36	(±)	12	(Δ)90	8.1	14.1	10.4	6.0	8.6	14.9	10.4	6.0	9.1	15.8	10.4	6.0	9.6	16.7	10.4	6.0
			24	(Δ)90	14.1	24.5	20.8	12.0	14.6	25.3	20.8	12.0	15.1	26.2	20.8	12.0	15.6	27.1	20.8	12.0
(Series)* 42	42	(±)	12	(Δ)90	8.1	14.1	10.4	6.0	8.6	14.9	10.4	6.0	9.1	15.8	10.4	6.0	9.6	16.7	10.4	6.0
			24	(Δ)90	14.1	24.5	20.8	12.0	14.6	25.3	20.8	12.0	15.1	26.2	20.8	12.0	15.6	27.1	20.8	12.0

45 Degree Vertical Inside & Outside

Example Part No.: M-4-HG-24-06-12-VI45-LI
M-4HG-24-06-12-VO45-LI

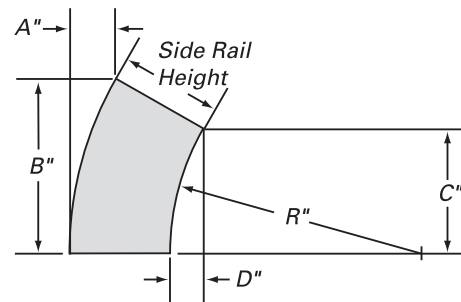
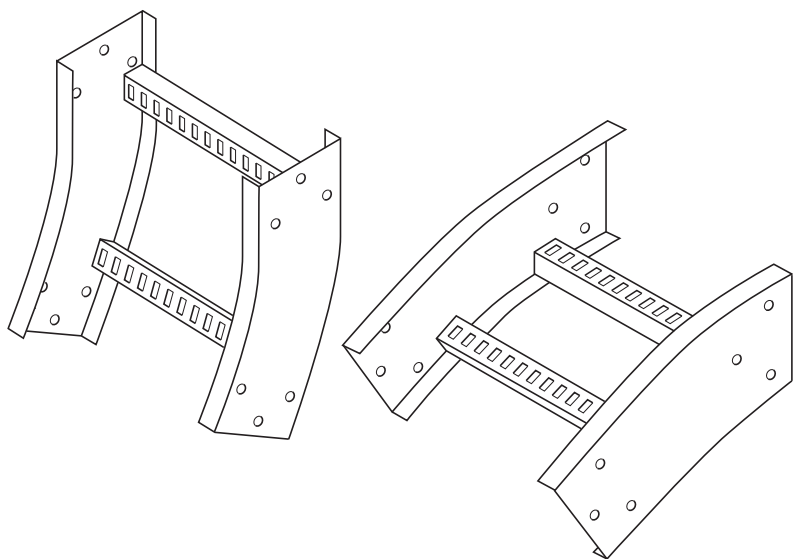


Catalog Number

Series*	Width (inches)	Bottom Style	Radius (inches)	Fitting Type	Siderail Height (inches)															
					4"-A	-B	-C	-D	5"-A	-B	-C	-D	6"-A	-B	-C	-D	7"-A	-B	-C	-D
(Series)*	6	(‡)	12	(Δ)90	4.8	11.5	8.5	3.5	5.1	12.2	8.5	3.5	5.3	12.9	8.5	3.5	5.6	13.6	8.5	3.5
				(Δ)90	8.3	20.0	17.0	7.0	8.6	20.7	17.0	7.0	8.9	21.4	17.0	7.0	9.2	22.1	17.0	7.0
(Series)*	9	(‡)	12	(Δ)90	4.8	11.5	8.5	3.5	8.6	14.9	8.5	3.5	5.3	12.9	8.5	3.5	5.6	13.6	8.5	3.5
				(Δ)90	8.3	20.0	17.0	7.0	14.6	25.3	17.0	7.0	8.9	21.4	17.0	7.0	9.2	22.1	17.0	7.0
(Series)*	12	(‡)	12	(Δ)90	4.8	11.5	8.5	3.5	8.6	14.9	8.5	3.5	5.3	12.9	8.5	3.5	5.6	13.6	8.5	3.5
				(Δ)90	8.3	20.0	17.0	7.0	14.6	25.3	17.0	7.0	8.9	21.4	17.0	7.0	9.2	22.1	17.0	7.0
(Series)*	18	(‡)	12	(Δ)90	4.8	11.5	8.5	3.5	8.6	14.9	8.5	3.5	5.3	12.9	8.5	3.5	5.6	13.6	8.5	3.5
				(Δ)90	8.3	20.0	17.0	7.0	14.6	25.3	17.0	7.0	8.9	21.4	17.0	7.0	9.2	22.1	17.0	7.0
(Series)*	24	(‡)	12	(Δ)90	4.8	11.5	8.5	3.5	8.6	14.9	8.5	3.5	5.3	12.9	8.5	3.5	5.6	13.6	8.5	3.5
				(Δ)90	8.3	20.0	17.0	7.0	14.6	25.3	17.0	7.0	8.9	21.4	17.0	7.0	9.2	22.1	17.0	7.0
(Series)*	30	(‡)	12	(Δ)90	4.8	11.5	8.5	3.5	8.6	14.9	8.5	3.5	5.3	12.9	8.5	3.5	5.6	13.6	8.5	3.5
				(Δ)90	8.3	20.0	17.0	7.0	14.6	25.3	17.0	7.0	8.9	21.4	17.0	7.0	9.2	22.1	17.0	7.0
(Series)*	36	(‡)	12	(Δ)90	4.8	11.5	8.5	3.5	8.6	14.9	8.5	3.5	5.3	12.9	8.5	3.5	5.6	13.6	8.5	3.5
				(Δ)90	8.3	20.0	17.0	7.0	14.6	25.3	17.0	7.0	8.9	21.4	17.0	7.0	9.2	22.1	17.0	7.0

30 Degree Vertical Inside & Outside

Example Part No.: M-4-HG-24-06-12-VI30-LI
M-4HG-24-06-12-VO30-LI

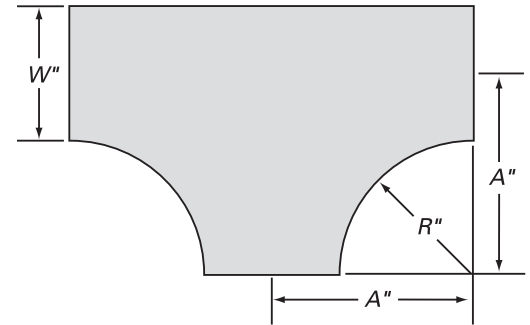
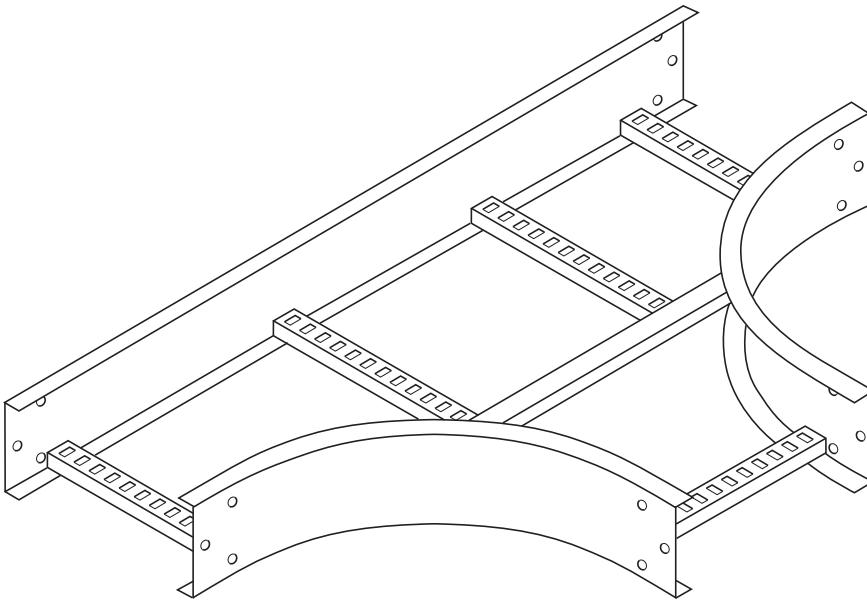


Catalog Number

Series*	Width (inches)	Bottom Style	Radius (inches)	Fitting Type	Siderail Height (inches)															
					4''-A				5''-A				6''-A				7''-A			
					-A	-B	-C	-D	-A	-B	-C	-D	-A	-B	-C	-D	-A	-B	-C	-D
(Series)*	6	(±)	12	(Δ)90	2.2	8.1	6.0	1.6	2.3	8.6	6.0	1.6	2.4	9.1	6.0	1.6	2.6	9.6	6.0	1.6
				(Δ)90	3.8	14.1	12.0	3.2	3.9	14.6	12.0	3.2	4.1	15.1	12.0	3.2	4.2	15.6	12.0	3.2
(Series)*	9	(±)	12	(Δ)90	2.2	8.1	6.0	1.6	2.3	8.6	6.0	1.6	2.4	9.1	6.0	1.6	2.6	9.6	6.0	1.6
				(Δ)90	3.8	14.1	12.0	3.2	3.9	14.6	12.0	3.2	4.1	15.1	12.0	3.2	4.2	15.6	12.0	3.2
(Series)*	12	(±)	12	(Δ)90	2.2	8.1	6.0	1.6	2.3	8.6	6.0	1.6	2.4	9.1	6.0	1.6	2.6	9.6	6.0	1.6
				(Δ)90	3.8	14.1	12.0	3.2	3.9	14.6	12.0	3.2	4.1	15.1	12.0	3.2	4.2	15.6	12.0	3.2
(Series)*	18	(±)	12	(Δ)90	2.2	8.1	6.0	1.6	2.3	8.6	6.0	1.6	2.4	9.1	6.0	1.6	2.6	9.6	6.0	1.6
				(Δ)90	3.8	14.1	12.0	3.2	3.9	14.6	12.0	3.2	4.1	15.1	12.0	3.2	4.2	15.6	12.0	3.2
(Series)*	24	(±)	12	(Δ)90	2.2	8.1	6.0	1.6	2.3	8.6	6.0	1.6	2.4	9.1	6.0	1.6	2.6	9.6	6.0	1.6
				(Δ)90	3.8	14.1	12.0	3.2	3.9	14.6	12.0	3.2	4.1	15.1	12.0	3.2	4.2	15.6	12.0	3.2
(Series)*	30	(±)	12	(Δ)90	2.2	8.1	6.0	1.6	2.3	8.6	6.0	1.6	2.4	9.1	6.0	1.6	2.6	9.6	6.0	1.6
				(Δ)90	3.8	14.1	12.0	3.2	3.9	14.6	12.0	3.2	4.1	15.1	12.0	3.2	4.2	15.6	12.0	3.2
(Series)*	36	(±)	12	(Δ)90	2.2	8.1	6.0	1.6	2.3	8.6	6.0	1.6	2.4	9.1	6.0	1.6	2.6	9.6	6.0	1.6
				(Δ)90	3.8	14.1	12.0	3.2	3.9	14.6	12.0	3.2	4.1	15.1	12.0	3.2	4.2	15.6	12.0	3.2

Horizontal Equal Tee

Example Part No.: M-4-HG-12-06-12-12-HT-LI

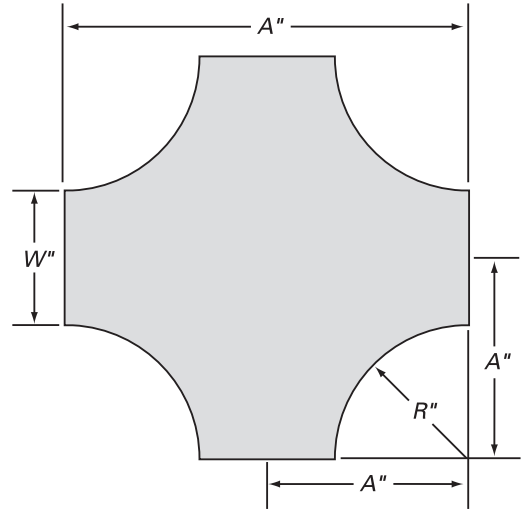
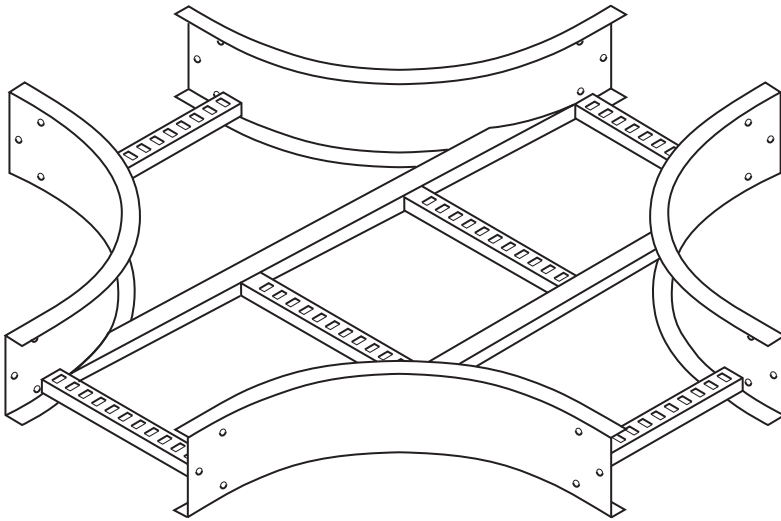


Catalog Number

Series*	Width (inches)	Bottom Style	Radius (inches)	Fitting Type	Dimensions (inches)	
					A	C
(Series)*	6	(‡)	12	(Δ)	15.0	30.0
			24	(Δ)	27.0	54.0
(Series)*	9	(‡)	12	(Δ)	16.5	33.0
			24	(Δ)	28.5	57.0
(Series)*	12	(‡)	12	(Δ)	18.0	36.0
			24	(Δ)	30.0	60.0
(Series)*	18	(‡)	12	(Δ)	21.0	42.0
			24	(Δ)	33.0	66.0
(Series)*	24	(‡)	12	(Δ)	24.0	48.0
			24	(Δ)	36.0	72.0
(Series)*	30	(‡)	12	(Δ)	27.0	54.0
			24	(Δ)	39.0	78.0
(Series)*	36	(‡)	12	(Δ)	30.0	60.0
			24	(Δ)	42.0	84.0

Horizontal Equal Cross

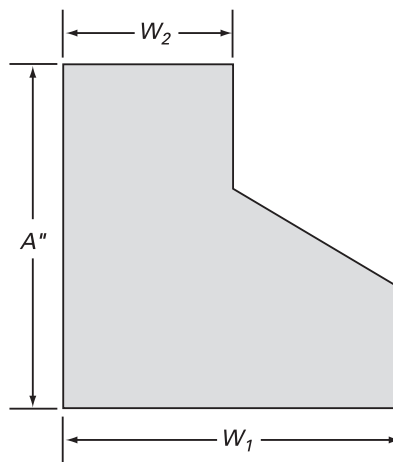
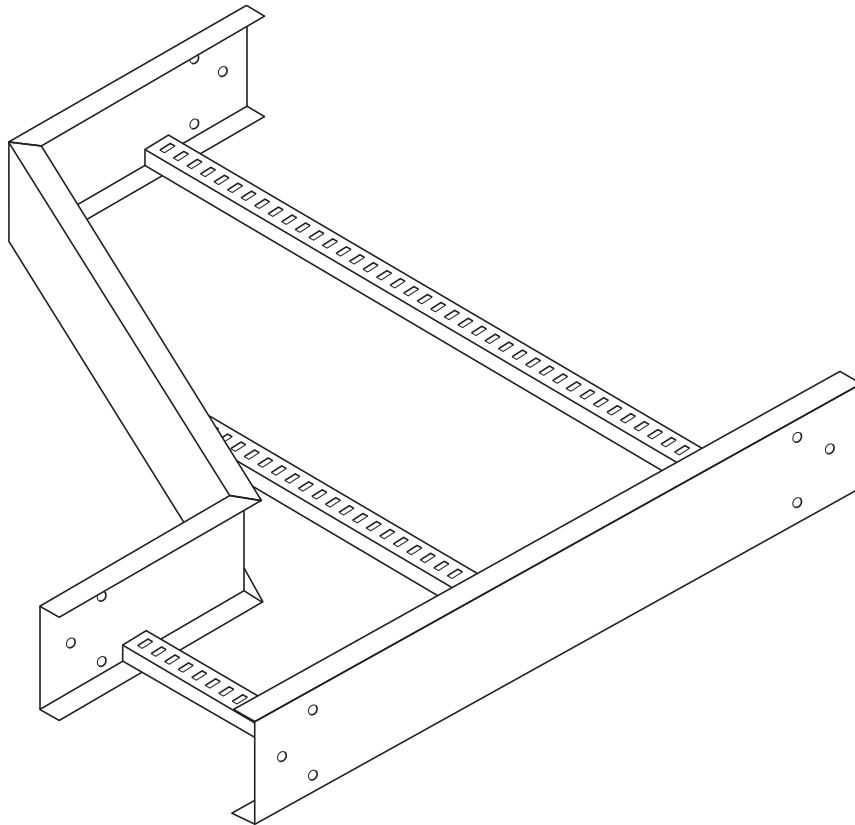
Example Part No.: M-4-HG-12-06-12-12-HC-LI



Catalog Number

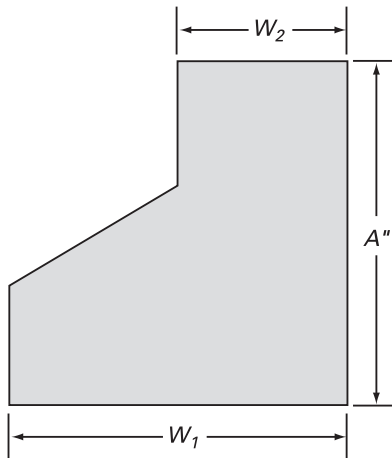
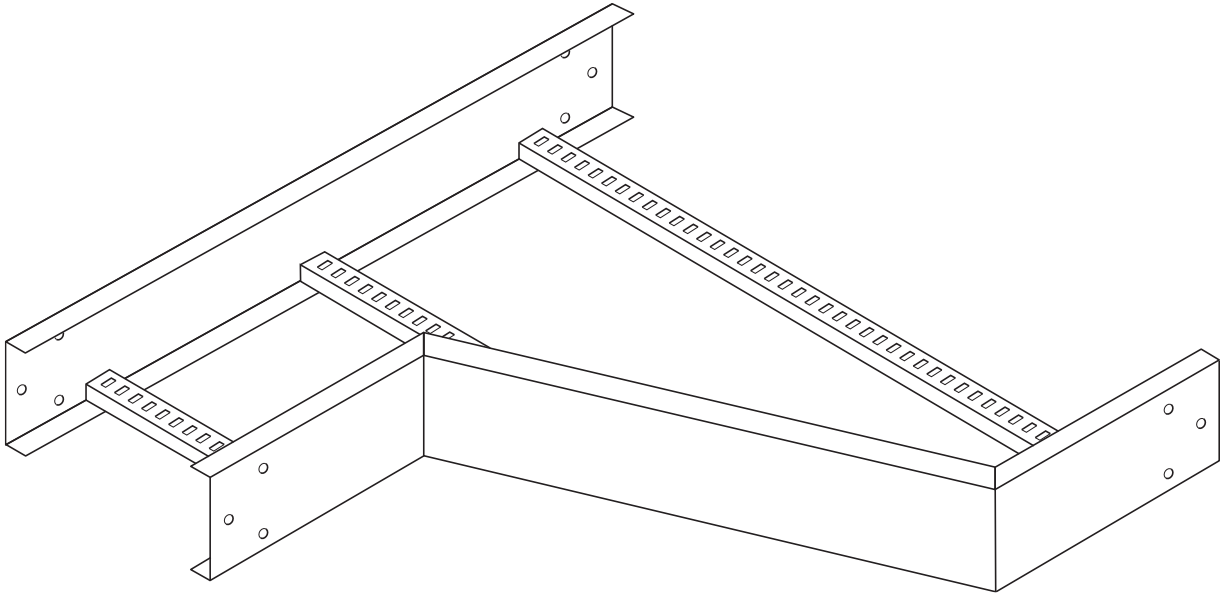
Series*	Width (inches)	Bottom Style	Radius (inches)	Fitting Type	Dimensions (inches)	
					A	C
(Series)*	6	(‡)	12	(Δ)	15.0	30.0
				(Δ)	27.0	54.0
(Series)*	9	(‡)	12	(Δ)	16.5	33.0
				(Δ)	28.5	57.0
(Series)*	12	(‡)	12	(Δ)	18.0	36.0
				(Δ)	30.0	60.0
(Series)*	18	(‡)	12	(Δ)	21.0	42.0
				(Δ)	33.0	66.0
(Series)*	24	(‡)	12	(Δ)	24.0	48.0
				(Δ)	36.0	72.0
(Series)*	30	(‡)	12	(Δ)	27.0	54.0
				(Δ)	39.0	78.0
(Series)*	36	(‡)	12	(Δ)	30.0	60.0
				(Δ)	42.0	84.0

Horizontal Reducers - Left
Example Part No.: M-4-HG-24-06-12-LR-LI

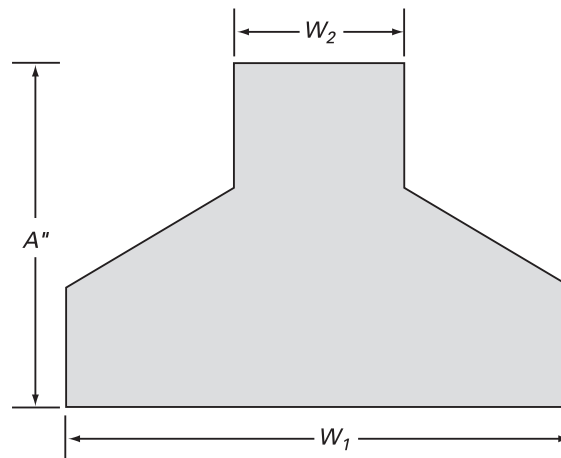
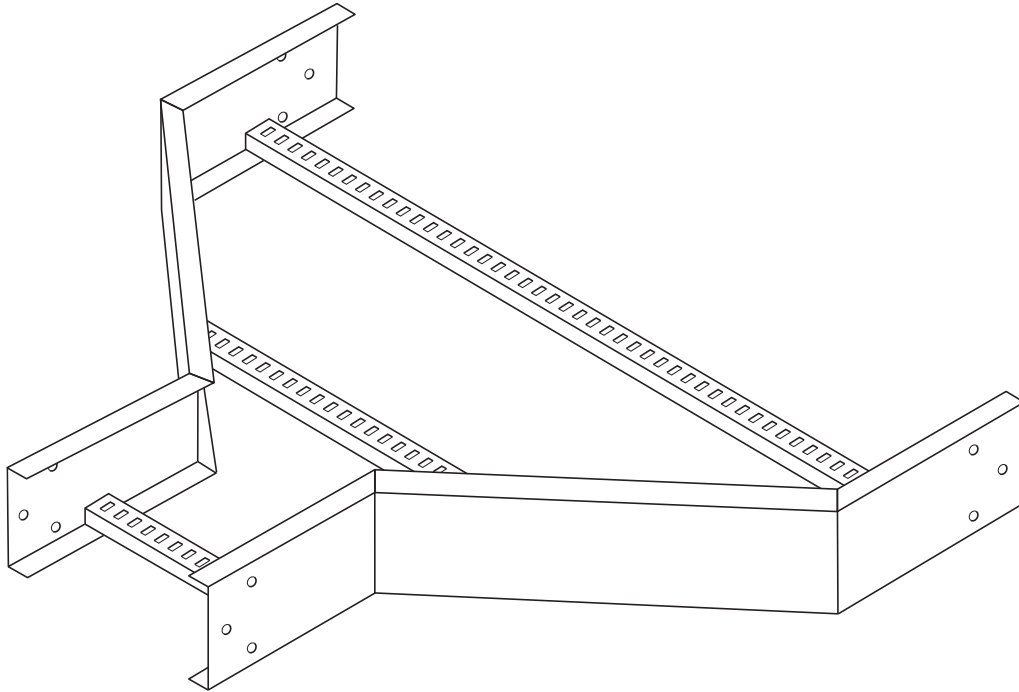


Horizontal Reducers - Right

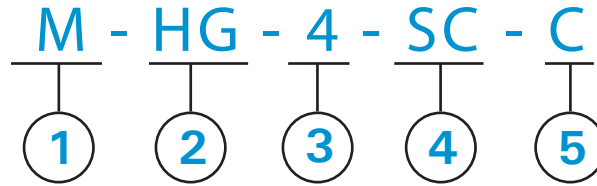
Example Part No.: M-4-HG-24-06-12-RR-LI



Horizontal Reducers - Straight
Example Part No.: M-4-HG-24-06-12-SR-LI



C-Rail Splice Plate Part Numbering System Example Part No.: M-HG-4-SC-C



1 **Product Code**
M Marine

2 **Material/Finish**
PG Pre-Galvanized
HG Hot Dipped Galvanized
S4 304 Stainless Steel
S6 316 Stainless Steel

3 **Side Rail Height**
4 = 4"
5 = 5"
6 = 6"
7 = 7"

4 **Accessory Type**
SC Splice Connector

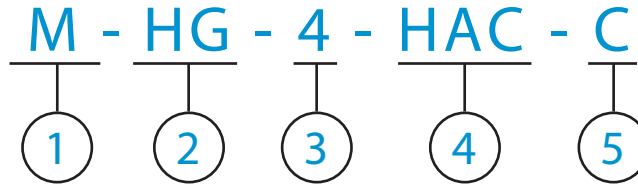
5 **Side Rail Type**
C C-Rail

Note:

1. Sold in pairs
2. Includes Hardware

C-Rail Horizontal Adjustable Splice Plate Part Numbering System

Example Part No.: M-HG-4-HAC-C



1 Product Code
M Marine

2 Material/Finish
PG Pre-Galvanized
HG Hot Dipped Galvanized
S4 304 Stainless Steel
S6 316 Stainless Steel

3 Side Rail Height
4 = 4"
5 = 5"
6 = 6"
7 = 7"

4 Accessory Type
HAC Horizontal
Adjustable Connector

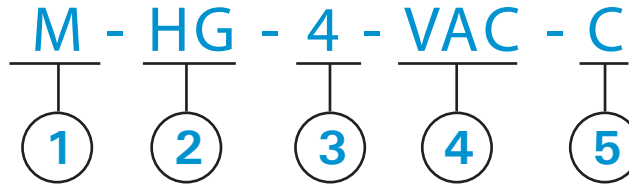
5 Side Rail Type
C C-Rail

Note:

1. Sold in pairs
2. Includes Hardware

C-Rail Vertical Adjustable Splice Plate Part Numbering System

Example Part No.: M-HG-4-VAC-C



1 **Product Code**
M Marine

2 **Material/Finish**
PG Pre-Galvanized
HG Hot Dipped Galvanized
S4 304 Stainless Steel
S6 316 Stainless Steel

3 **Side Rail Height**
4 =4"
5 =5"
6 =6"
7 =7"

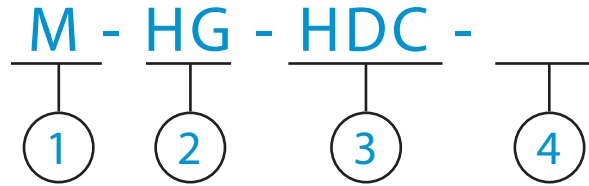
4 **Accessory Type**
VAC Vertical
Adjustable Connector

5 **Side Rail Type**
C C-Rail

Note:

1. Sold in pairs
2. Includes Hardware

C-Rail Hold Down Clamp Part Numbering System
Example Part No.: M-HG-HDC

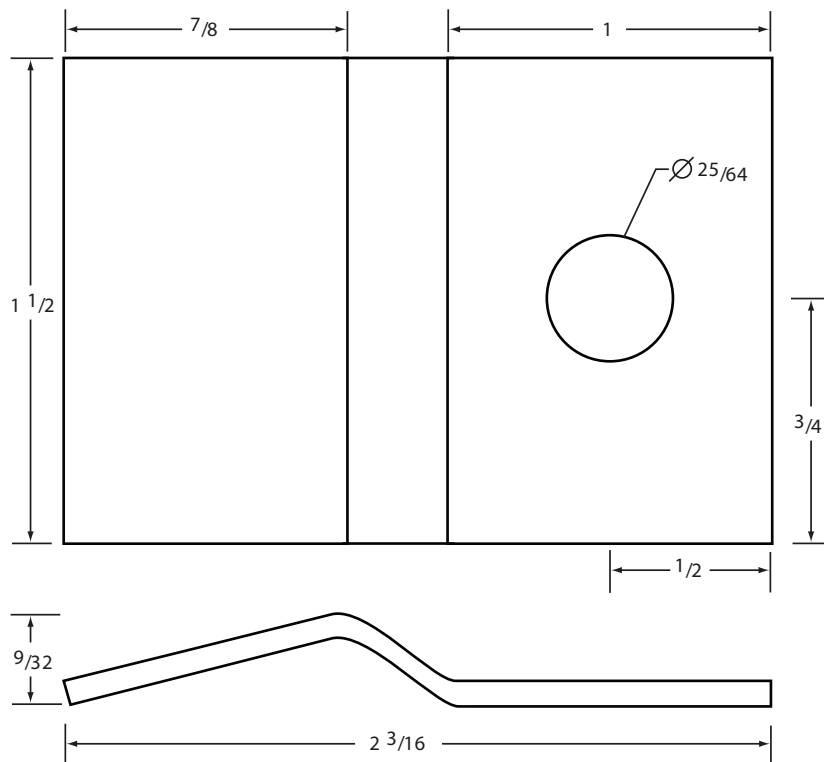


1 Product Code
M Marine

3 Accessory Type
HDC Hold Down Clamp

2 Material/Finish
PG Pre-Galvanized
HG Hot Dipped Galvanized
S4 304 Stainless Steel
S6 316 Stainless Steel

4 Kit
KT Kit
(Add KT for kit which includes
3/8" hardware; flat washer,
spring nut & hex bolt)



Note:

1. Sold each

CHANNEL-TRACK & TUBE-WAY INDUSTRIES, INC.

1209 W. 17th Street

Houston, TX 77008

Office: 713.864.2551

Fax: 713.868.4550

www.channel-track.com

Submit an Inquiry:
sales@channel-track.com